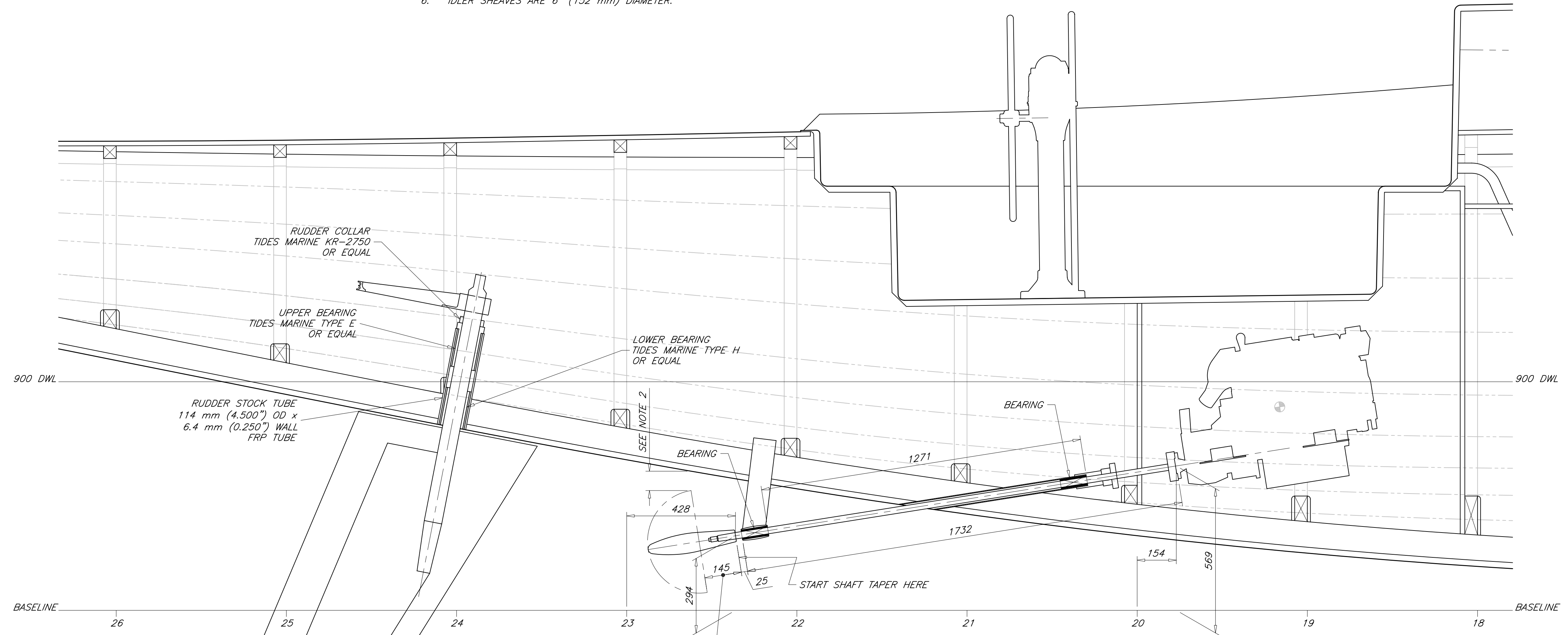


REVISIONS				
ZONE	REV	DESCRIPTION	DATE	APPROVED
ALL	-	ORIGINAL ISSUE	18 NOV 09	P. KOTZEBUE

PEDESTAL STEERING COMPONENTS

1. PEDESTAL IS EDSON 300 OR EQUAL WITH 5" (127 mm) COMPASS.
2. STEERING WHEEL IS 32" (813 mm) DIAMETER DESTROYER TYPE.
3. SPROCKET DIAMETER IS 2.2" (56 mm).
4. CHAIN PITCH IS 5/8" (16 mm).
5. QUADRANT RADIUS IS 18" (457 mm).
6. IDLER SHEAVES ARE 6" (152 mm) DIAMETER.



ELEVATION B-4
INBOARD PROFILE

ENGINE INSTALLATION COMPONENTS

1. ENGINE IS VOLVO D2-40, 28.3 kW (38 hp) AT 3000 rpm.
2. V-DRIVE REDUCTION GEAR IS VOLVO MS15L, 2.14:1.
3. PROPELLER IS MARTEC ELLIPTICAL FOLDING OR EQUAL, DIAMETER = 16" (406 mm), PITCH = 13" (330 mm).
4. PROPELLER SHAFT IS 1" (25.4 mm) DIAMETER AQUAMET 22 OR AQUALOY 22. SHAFT TAPER IS SAE J755.
5. STRUT IS BUCK-ALGONQUIN MSSU1125B0 UNIVERSAL SAILBOAT STRUT.
6. STRUT AND STERN TUBE BEARINGS ARE 1 1/4" (31.8 mm) OD x 4" (101.6 mm) LONG CUTLASS BEARINGS.
7. STERN TUBE IS 1 1/4" SCHED 80 RED BRASS PIPE, 1.660" (42.2 mm) OD x 0.191" (4.9 mm) WALL. STERN TUBE IS GLUED IN WITH EPOXY RESIN.
8. SHAFT SEAL IS TIDES MARINE FSK-1000-1750-0 OR EQUAL.
9. FLEXIBLE COUPLING IS R&D MARINE MODEL 910-002 OR EQUAL.

GENERAL NOTES

1. RUDDER BEARINGS ARE SET IN CHOCKFAST.
2. MINIMUM PROPELLER TIP CLEARANCE IS 61 mm. VERIFY BEFORE STRUT INSTALLATION.
3. STEERING SYSTEM TO BE INSTALLED PER STEERING MANUFACTURER'S INSTALLATION INSTRUCTIONS.
4. BUILDER TO PROVIDE RUDDER STOPS TO LIMIT RUDDER MOVEMENT TO 40° EACH SIDE.
5. BUILDER TO PROVIDE PROTECTIVE GUARD FOR STEERING CABLES TO PREVENT FOULING FROM LOOSE ITEMS.

SEE REFERENCE 1 FOR RUDDER LOCATION



THIS DRAWING REMAINS THE PROPERTY OF PAUL R. KOTZEBUE, PE AND MAY NOT BE USED FOR ANY PURPOSE WITHOUT WRITTEN CONSENT.

1	KEEL AND RUDDER DETAILS	04-A3
NO	TITLE	DWG NO

REFERENCES	
STOCK PLANS	
18.2 METER SKERRY CRUISER	
ENGINE AND STEERING INSTALLATION	

PAUL R. KOTZEBUE, PE
MECHANICAL ENGINEER
Encinitas, California USA

DRAFTER: PK	DATE: 18 NOV 09	SCALE: ARCH D	DWG NO: 04-E1	REV: -
CHECKER: PK	DATE: 18 NOV 09	SCALE: 1 : 10	SWBS: --	SHEET: 1 OF 1