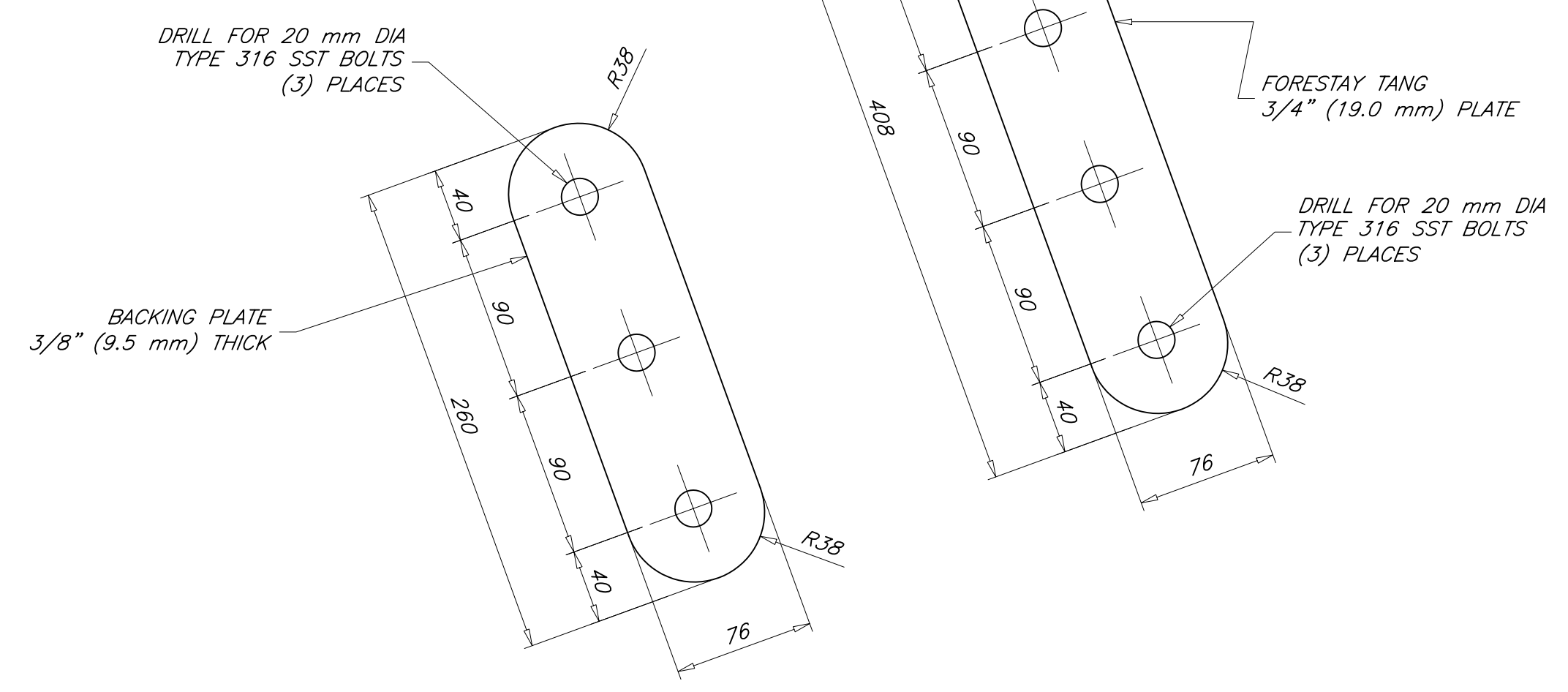
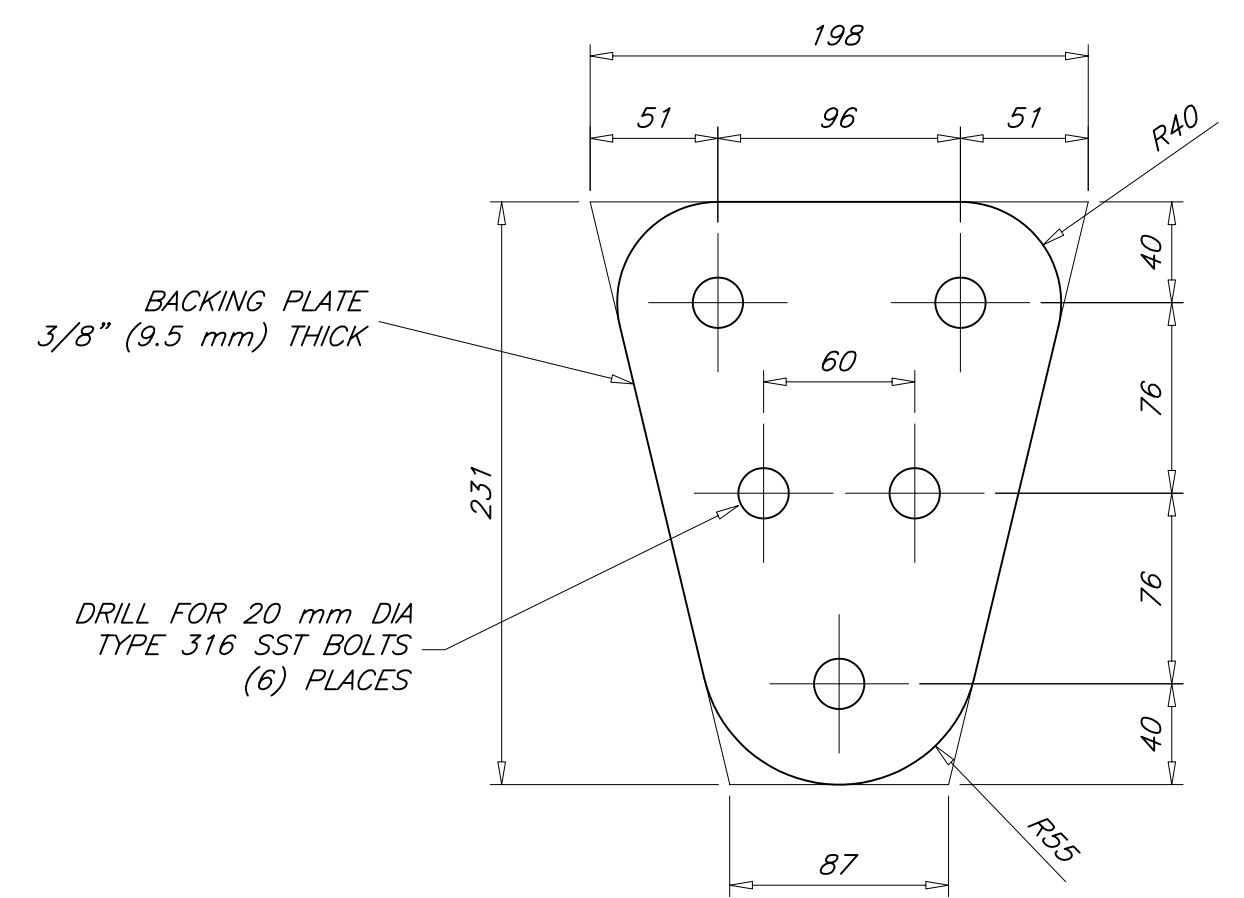
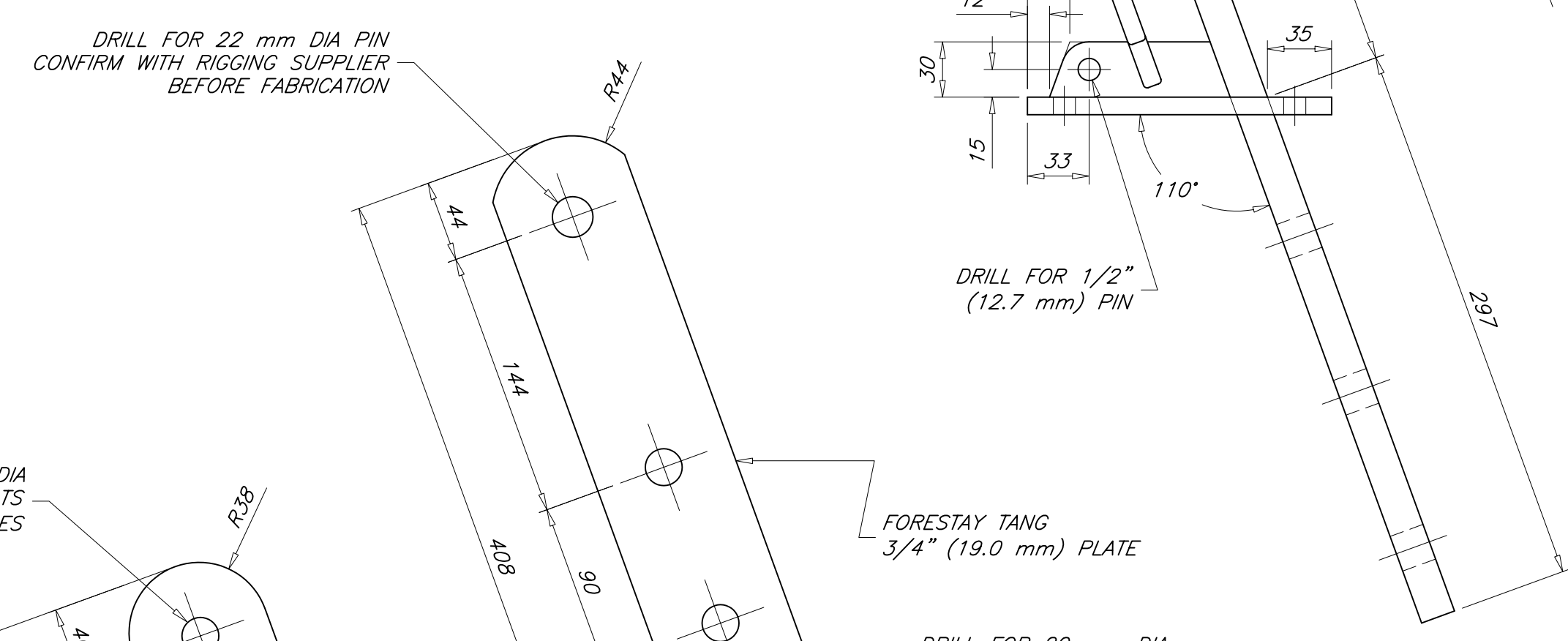
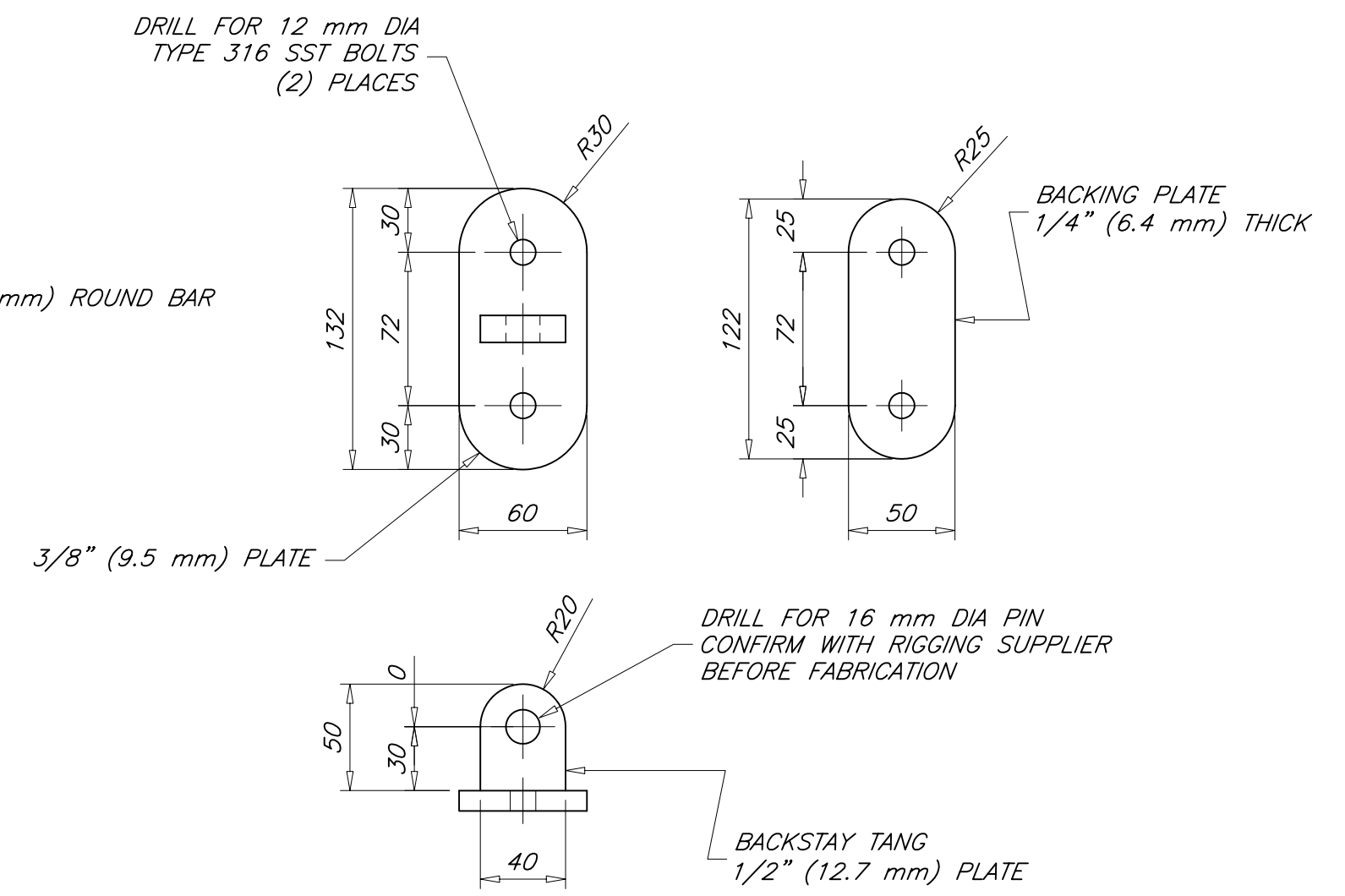
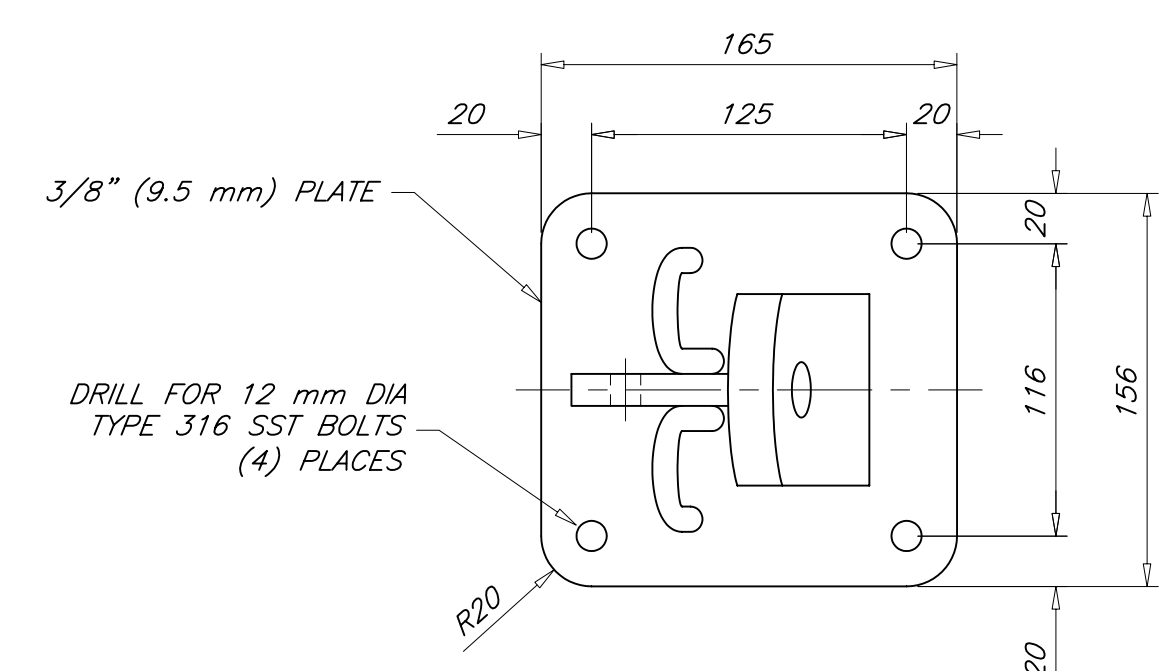
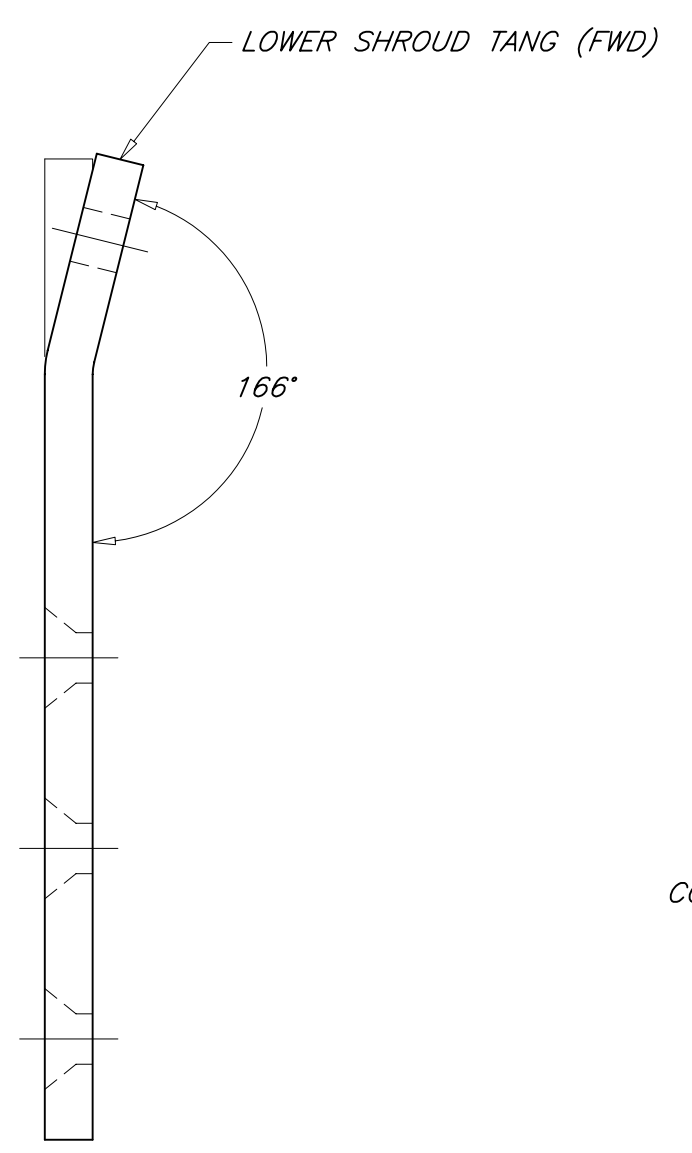
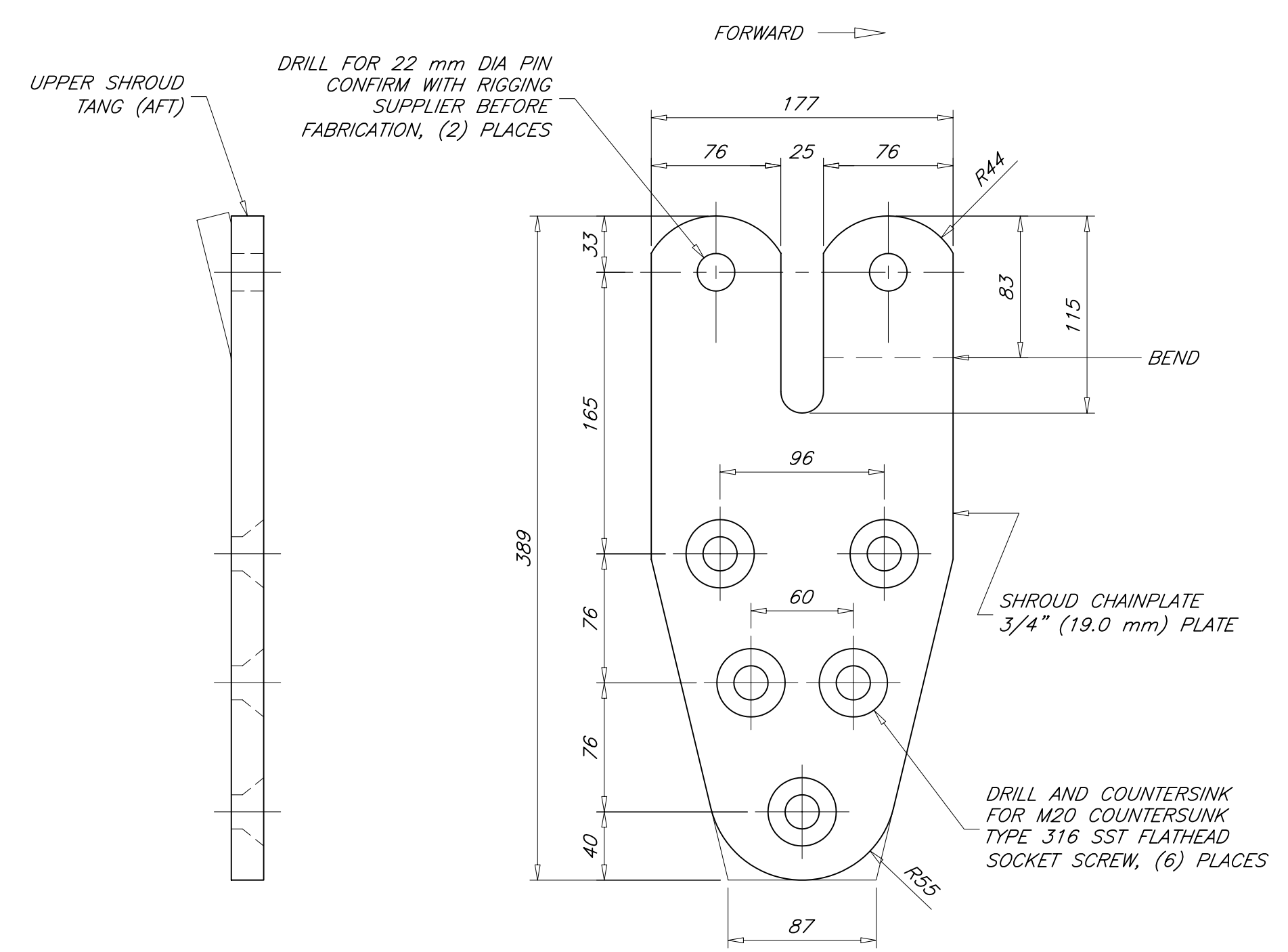


REVISIONS				
ZONE	REV	DESCRIPTION	DATE	APPROVED
ALL	-	ORIGINAL ISSUE	17 NOV 09	P. KOTZEBUE



**GENERAL NOTES**

1. WELDED PARTS TO BE JOINED BY CONTINUOUS FILLET WELDS. WELD PROCEDURE AND SIZE OF WELDS TO BE DETERMINED BY FABRICATOR.
2. MATERIAL IS TYPE 316 OR 316L STAINLESS STEEL. MINIMUM TENSILE STRENGTH = 415 MPa (60,000 psi) MINIMUM SHEAR STRENGTH = 275 MPa (40,000 psi) MINIMUM BEARING STRENGTH = 620 MPa (90,000 psi)
3. FASTENERS ARE TYPE 316 STAINLESS STEEL.

DETAIL A-7  
SHROUD CHAINPLATES

DETAIL A-4  
FORESTAY FITTING

DETAIL C-1  
BACKSTAY CHAINPLATE



THIS DRAWING REMAINS THE PROPERTY OF PAUL R. KOTZEBUE, PE AND MAY NOT BE USED FOR ANY PURPOSE WITHOUT WRITTEN CONSENT.

PAUL R. KOTZEBUE, PE MECHANICAL ENGINEER Encinitas, California USA		NO. TITLE DWG NO.	
REFERENCES		NO. TITLE DWG NO.	
STOCK PLANS		NO. TITLE DWG NO.	
18.2 METER SKERRY CRUISER		NO. TITLE DWG NO.	
CHAINPLATES		NO. TITLE DWG NO.	
DRAFTER: PK	DATE: 17 NOV 09	SIZE: ARCH D	DWG NO. 04-02
CHECKER: PK	DATE: 17 NOV 09	SCALE: 1 : 3	SWBS: --
		SHEET: 1	OF 1