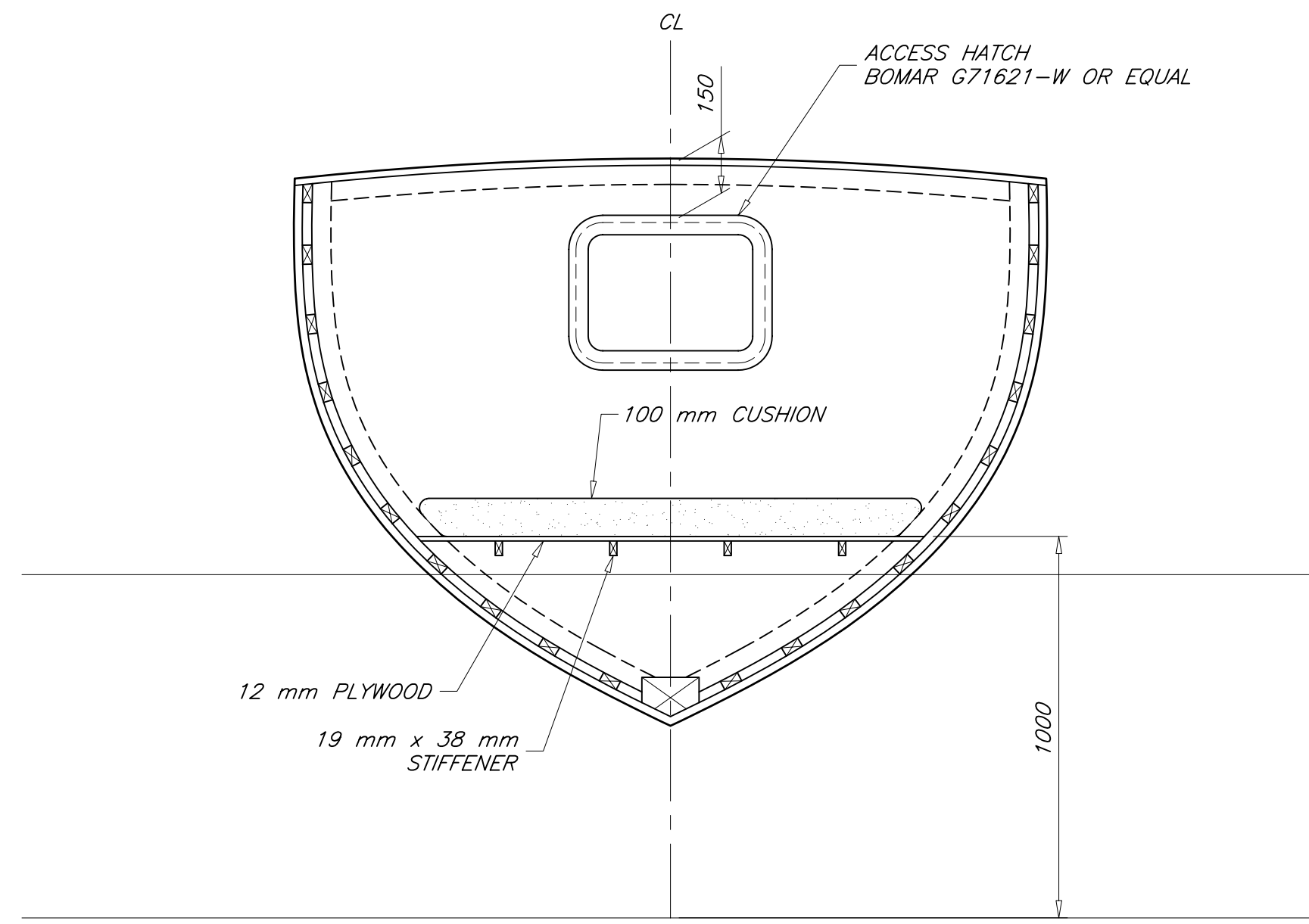
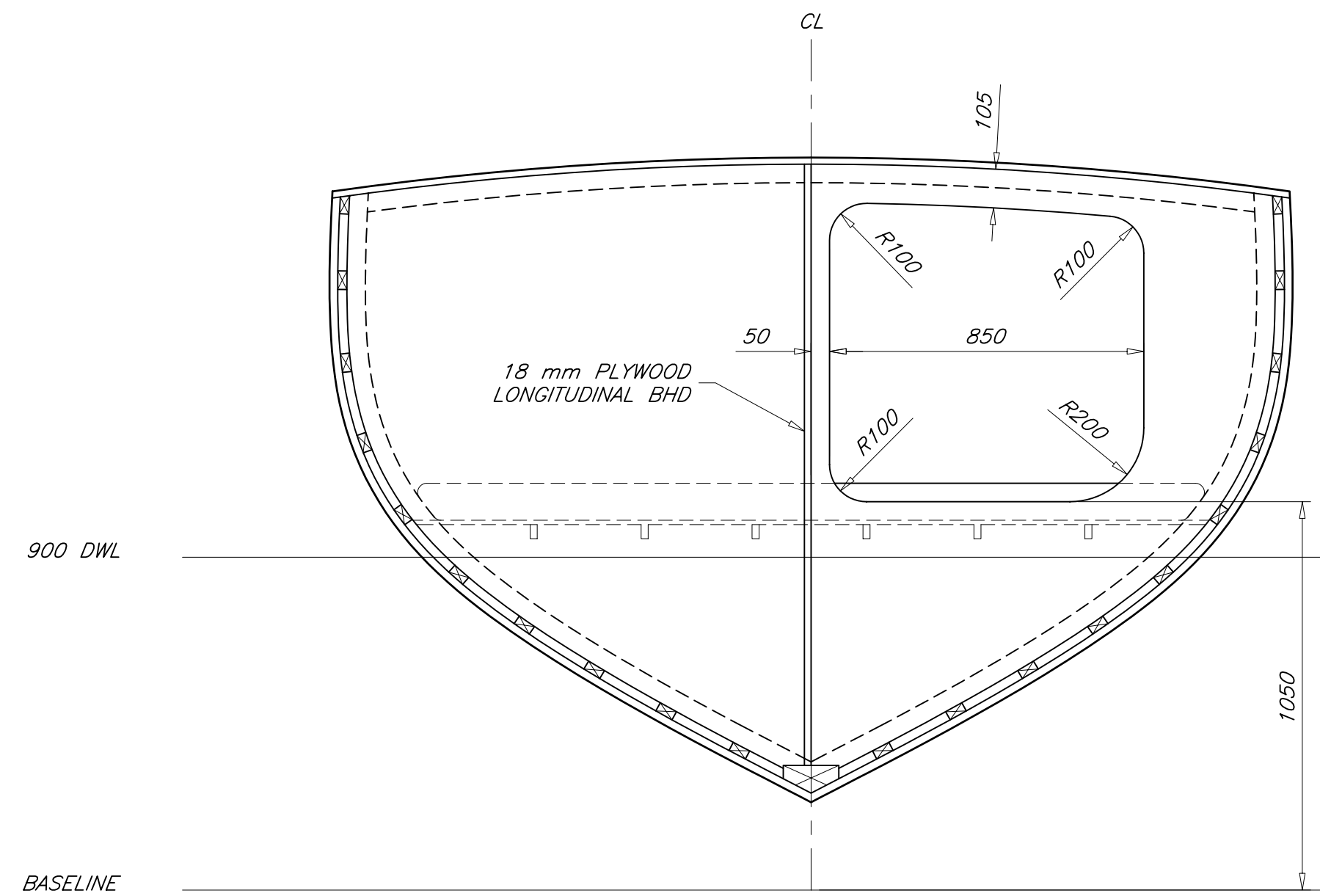


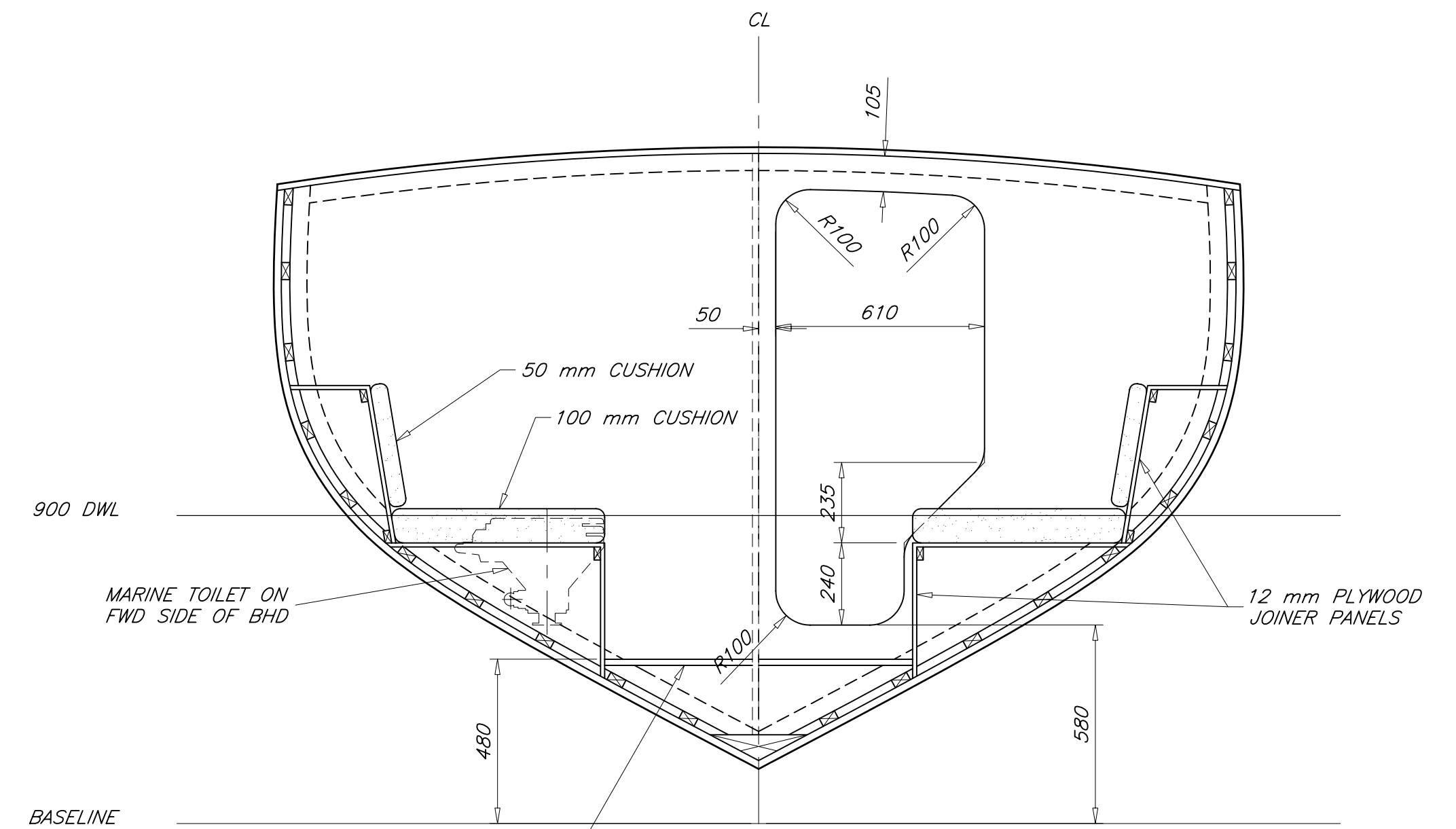
REVISIONS				
ZONE	REV	DESCRIPTION	DATE	APPROVED
ALL	-	ORIGINAL ISSUE	07 NOV 09	P. KOTZEBUE



SECTION AT BHD A
LOOKING FWD
18 mm PLYWOOD



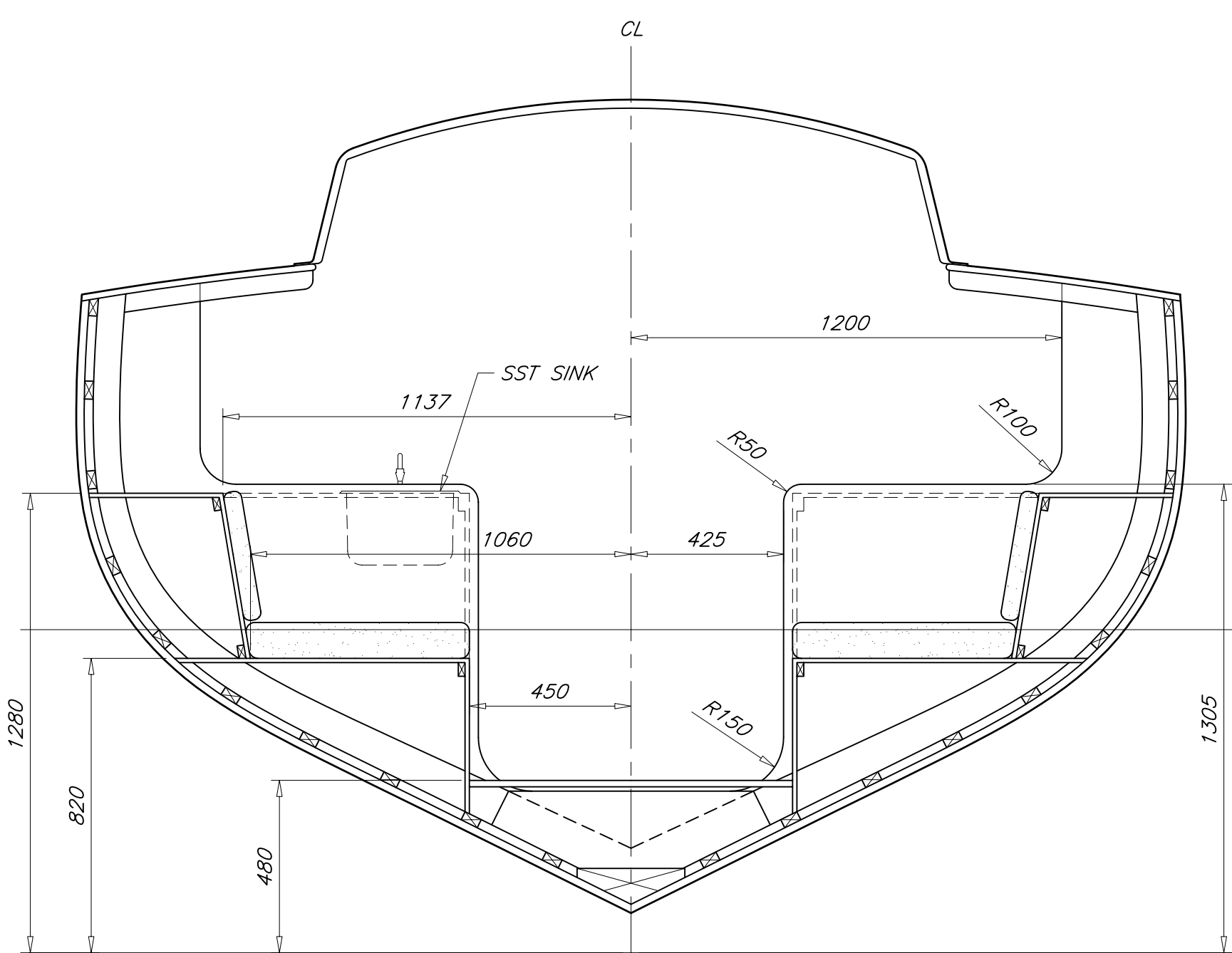
SECTION AT BHD B
LOOKING FWD
18 mm PLYWOOD



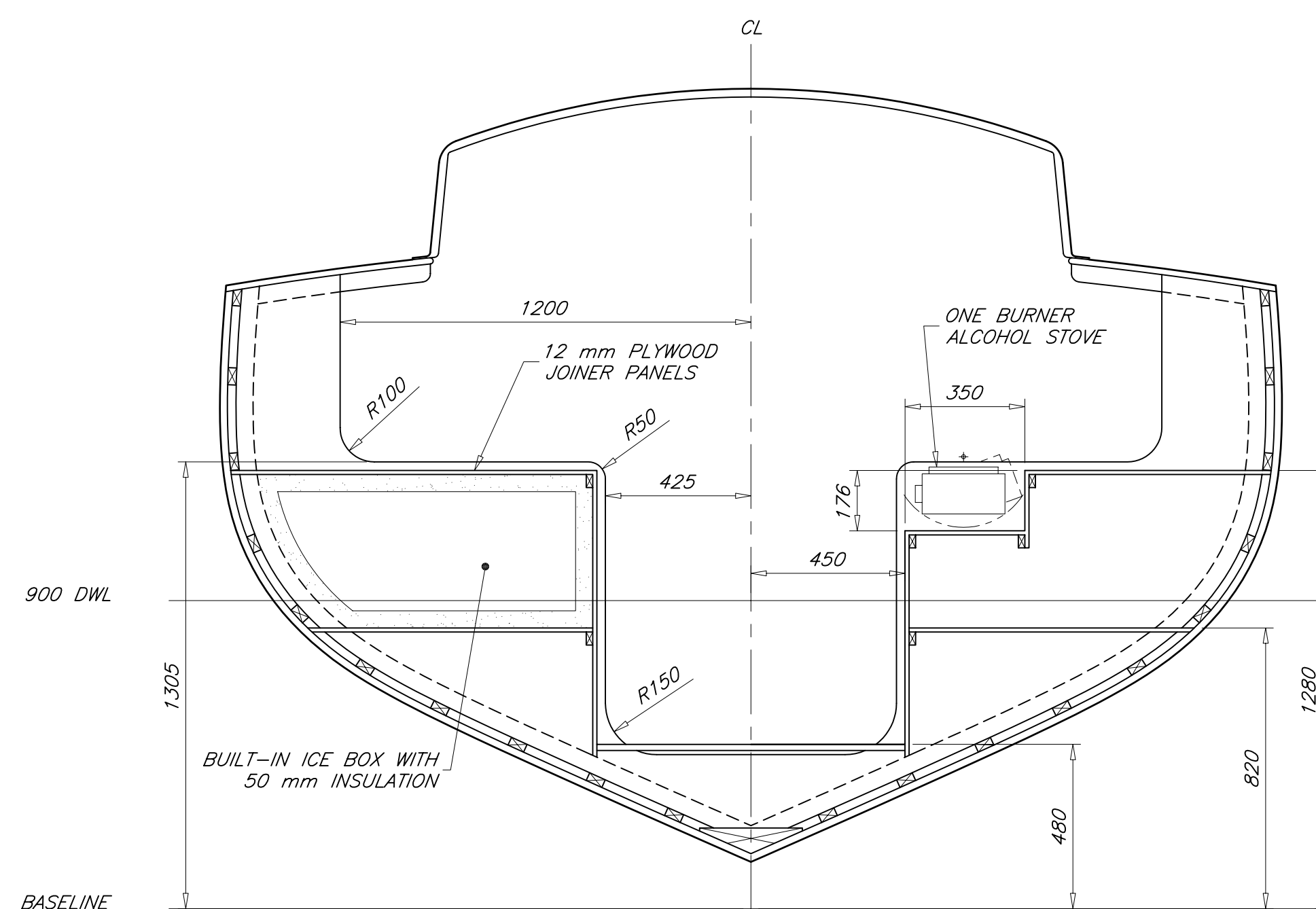
SECTION AT BHD C
LOOKING FWD
18 mm PLYWOOD

GENERAL NOTE

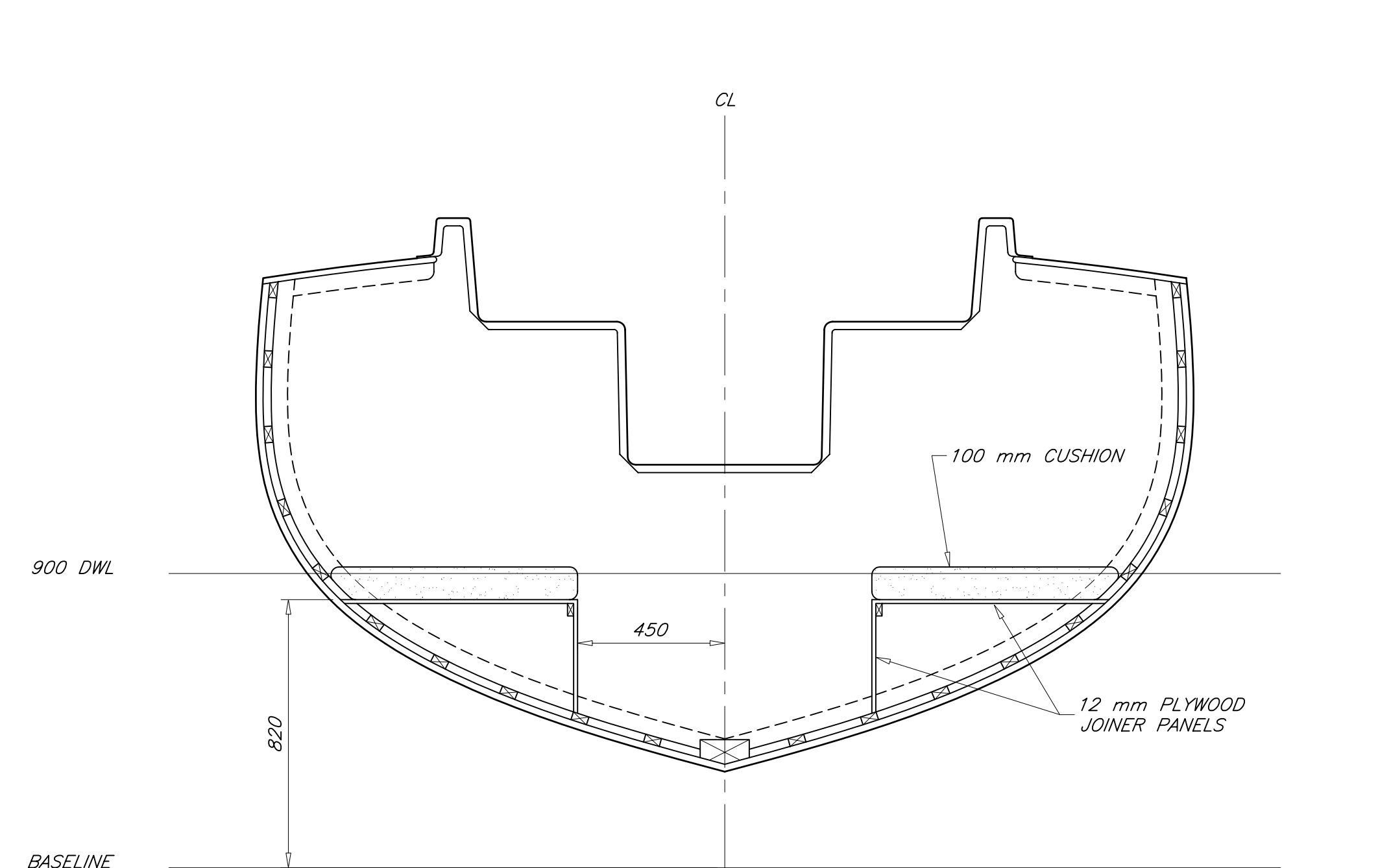
- PLYWOOD IS OKOUME MARINE GRADE PLYWOOD MEETING BRITISH STANDARD SPECIFICATION FOR MARINE PLYWOOD BS 1088.
MINIMUM MODULUS OF RUPTURE = 40 MPa (5,800 psi)
MINIMUM MODULUS OF ELASTICITY = 4,500 MPa (652,500 psi)



SECTION AT BHD D
LOOKING AFT
18 mm PLYWOOD



SECTION AT BHD E
LOOKING AFT
18 mm PLYWOOD



SECTION AT BHD F
LOOKING AFT
18 mm PLYWOOD



Paul R. Kotzebue

THIS DRAWING REMAINS THE PROPERTY OF PAUL R. KOTZEBUE, PE AND MAY NOT BE USED FOR ANY PURPOSE WITHOUT WRITTEN CONSENT.

NO	TITLE	DWG NO
REFERENCES		
STOCK PLANS		
18.2 METER SKERRY CRUISER		
JOINER SECTIONS		
DRAFTER:	DATE:	SCALE:
PK	07 NOV 09	ARCH D
CHECKER:	DATE:	SCALE:
PK	07 NOV 09	1 : 15
DWG NO:	REV:	SHEET:
04-B3	-	1 OF 1