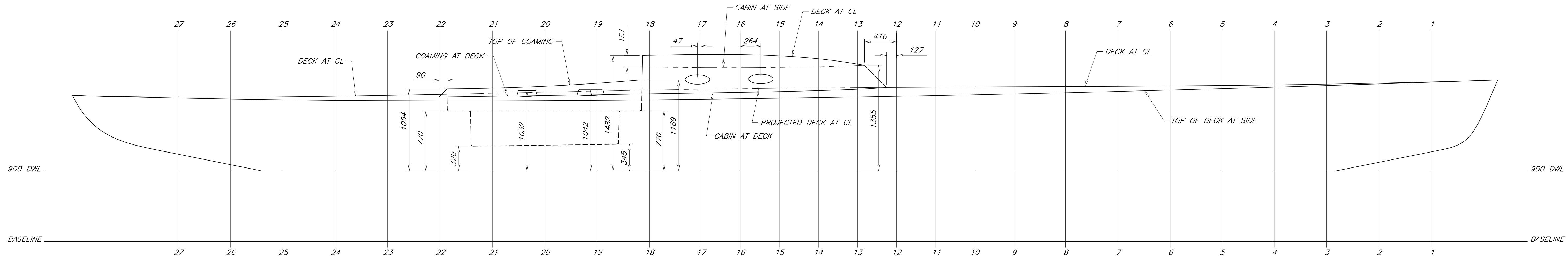
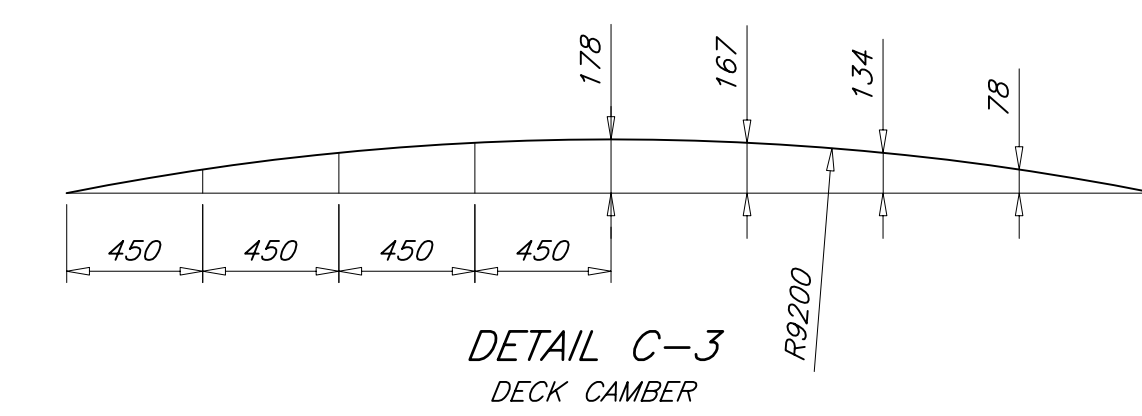


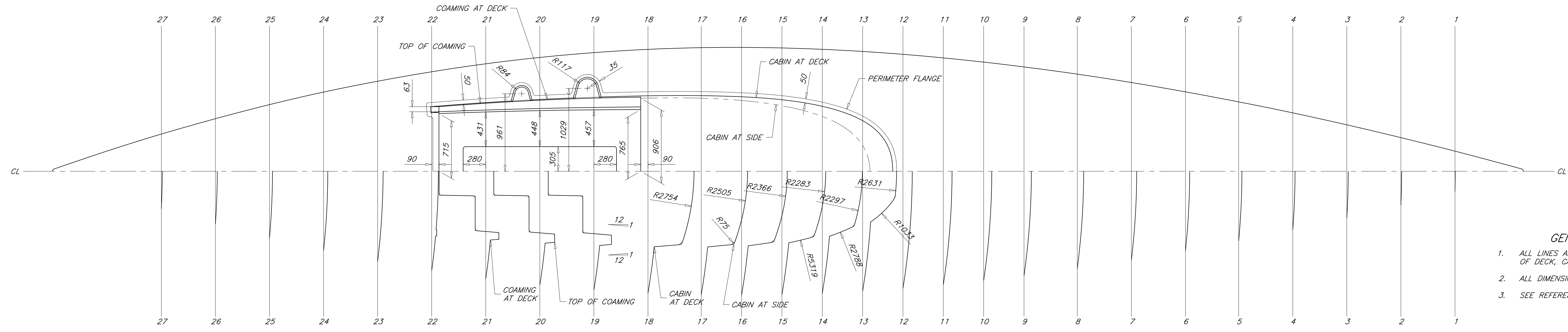
REVISIONS				
ZONE	REV	DESCRIPTION	DATE	APPROVED
ALL	-	ORIGINAL ISSUE	30 NOV 09	P. KOTZEBUE



ELEVATION C-4
PROFILE



DETAIL C-3
DECK CAMBER



PLAN A-4
DECK SECTIONS

- GENERAL NOTES**
1. ALL LINES ARE TO OUTSIDE SURFACE OF DECK, CABIN, AND COCKPIT.
 2. ALL DIMENSIONS ARE IN MILLIMETERS.
 3. SEE REFERENCE 1 FOR DECK OFFSETS.



THIS DRAWING REMAINS THE PROPERTY OF PAUL R. KOTZEBUE, PE AND MAY NOT BE USED FOR ANY PURPOSE WITHOUT WRITTEN CONSENT.

NO	TITLE	DWG NO
REFERENCES		
STOCK PLANS		
18.2 METER SKERRY CRUISER		
DECK LINES		

PAUL R. KOTZEBUE, PE
MECHANICAL ENGINEER
Encinitas, California USA

DRAFTER: PK	DATE: 03 NOV 09	SIZE: ARCH D	DWG NO: 04-A2	REV: -
CHECKER: PK	DATE: 03 NOV 09	SCALE: 1 : 25	SWBS: - -	SHEET: 1 OF 1