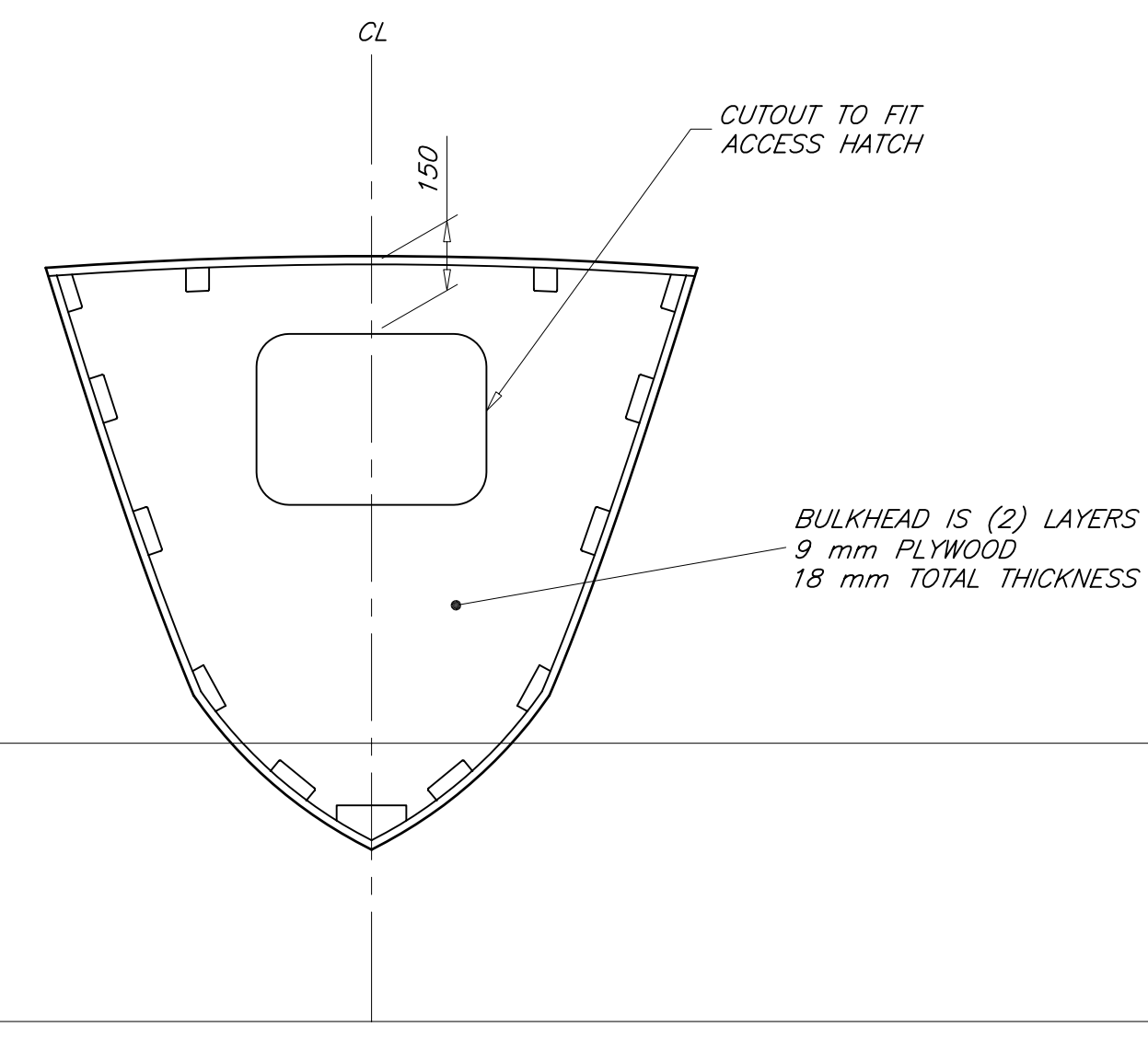
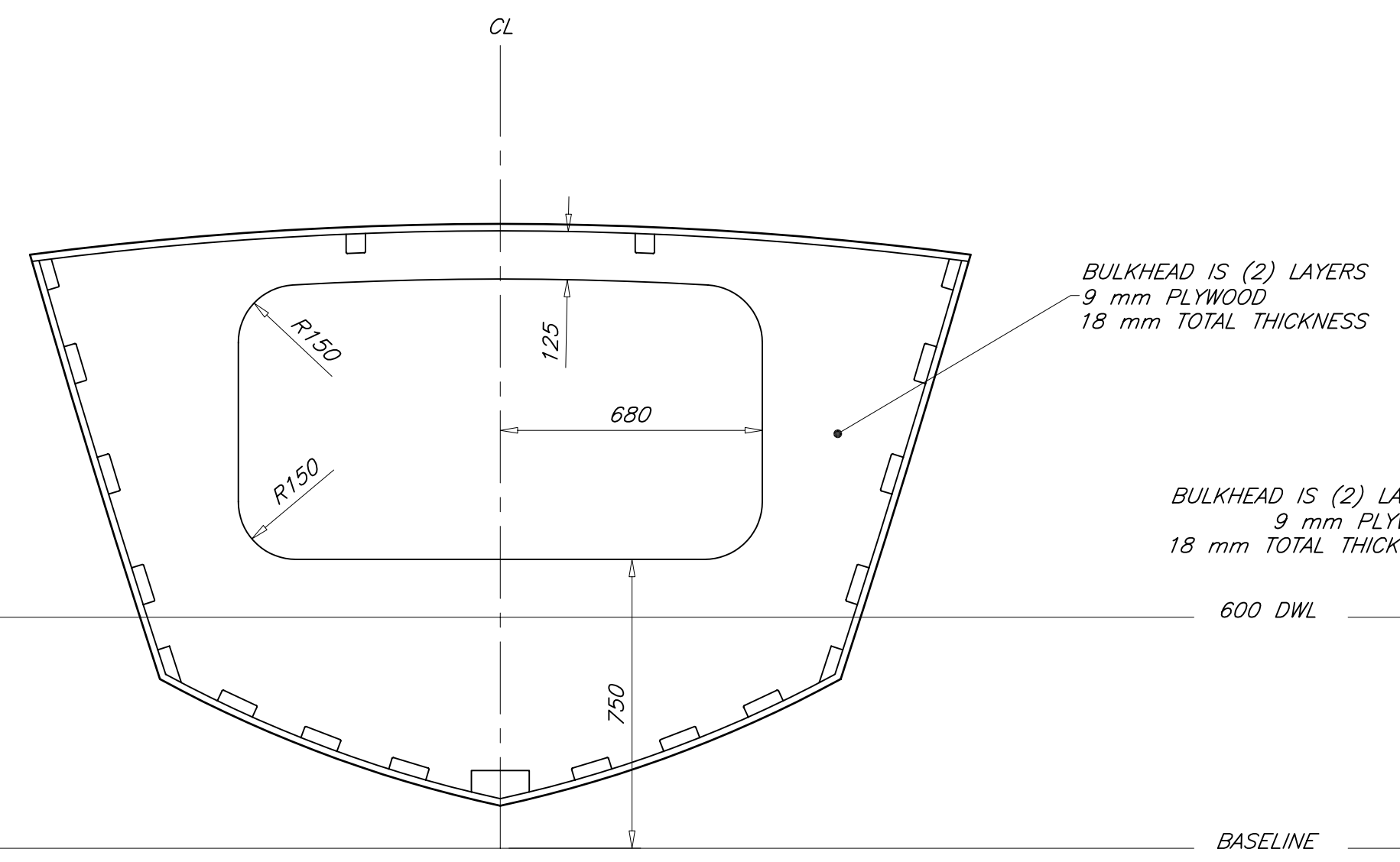


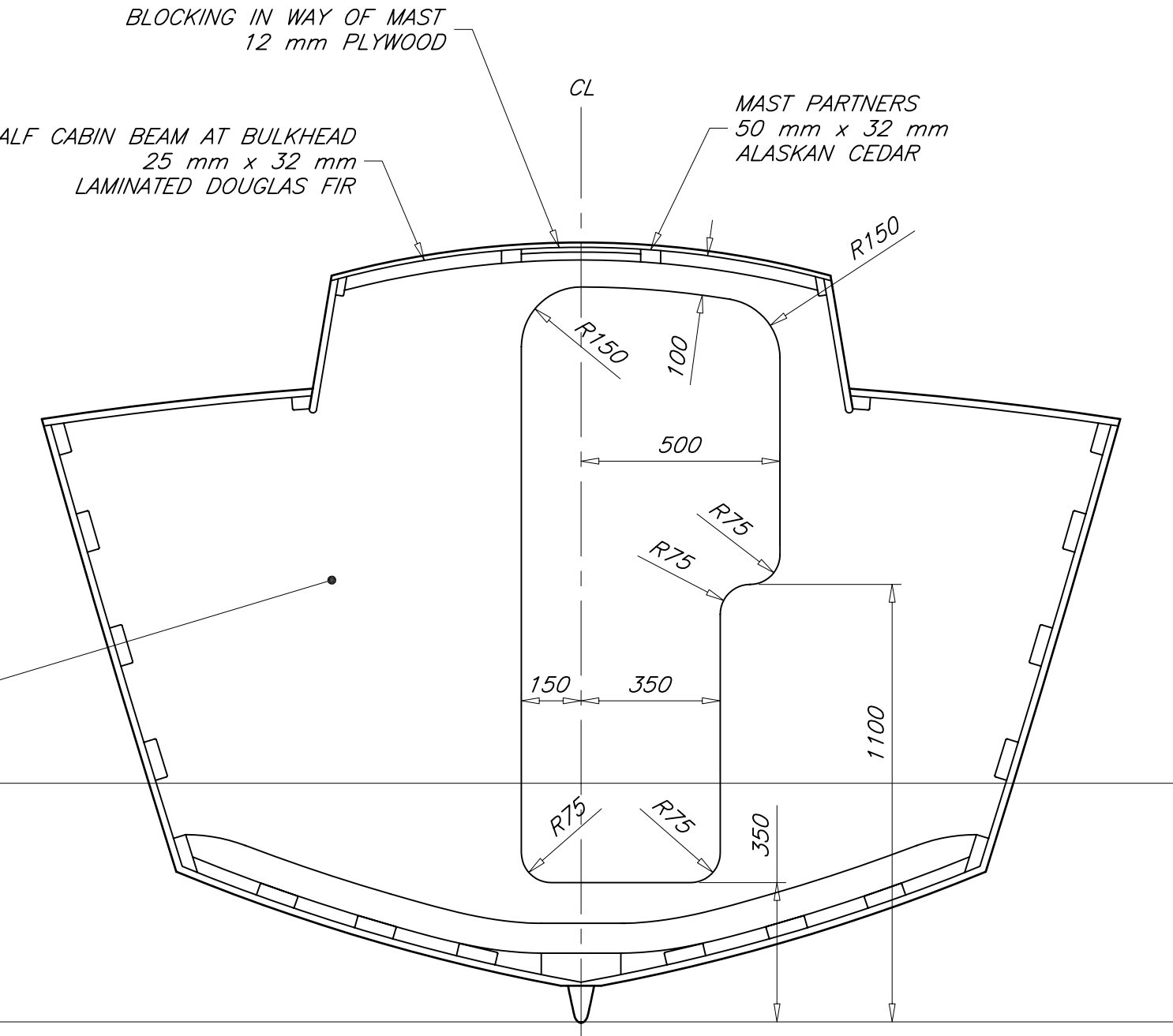
REVISIONS				
ZONE	REV	DESCRIPTION	DATE	APPROVED
ALL	-	ORIGINAL ISSUE	17 AUG 09	P. KOTZEBUE



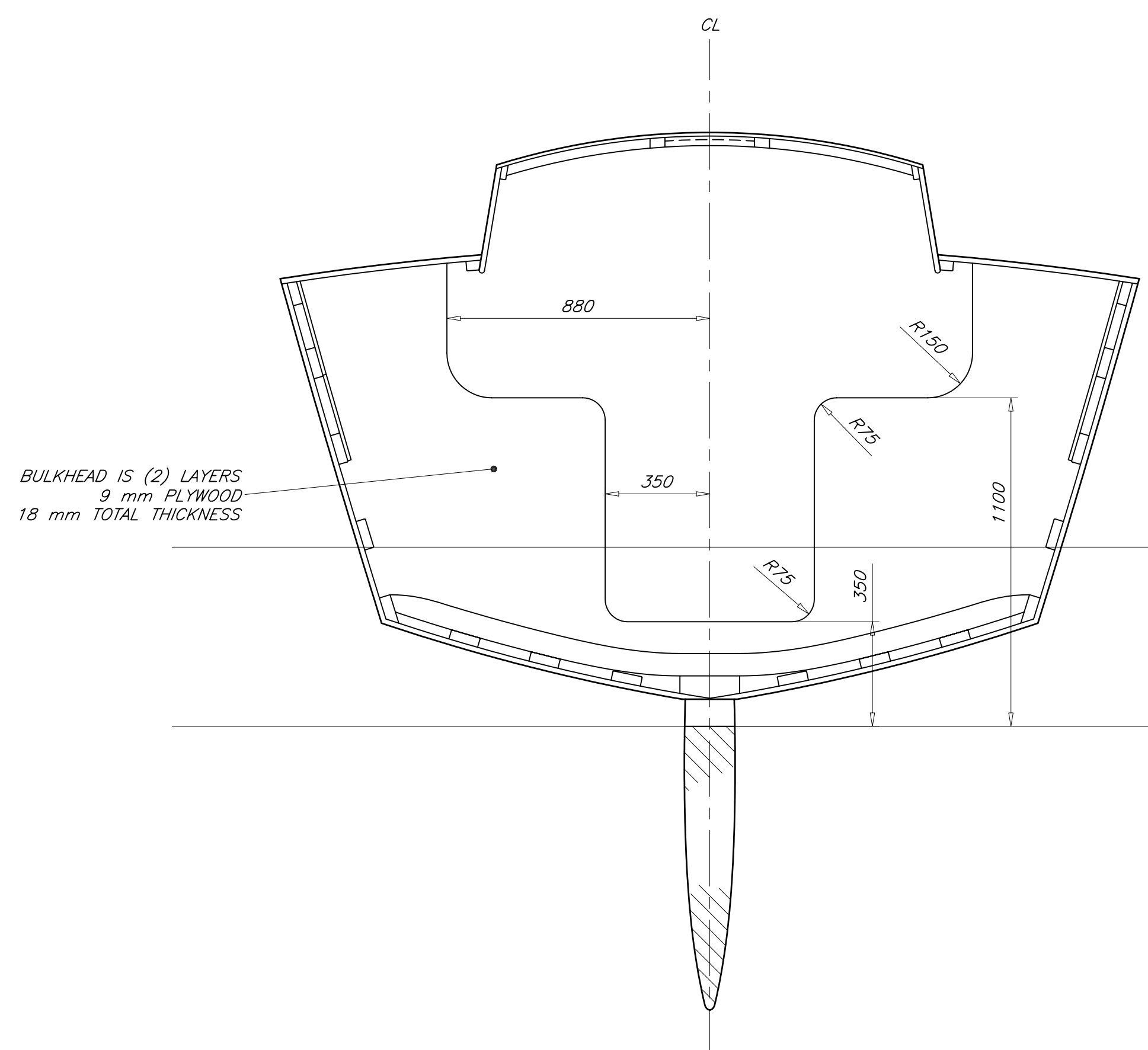
SECTION C-7
SECTION AT BHD A
LOOKING FWD



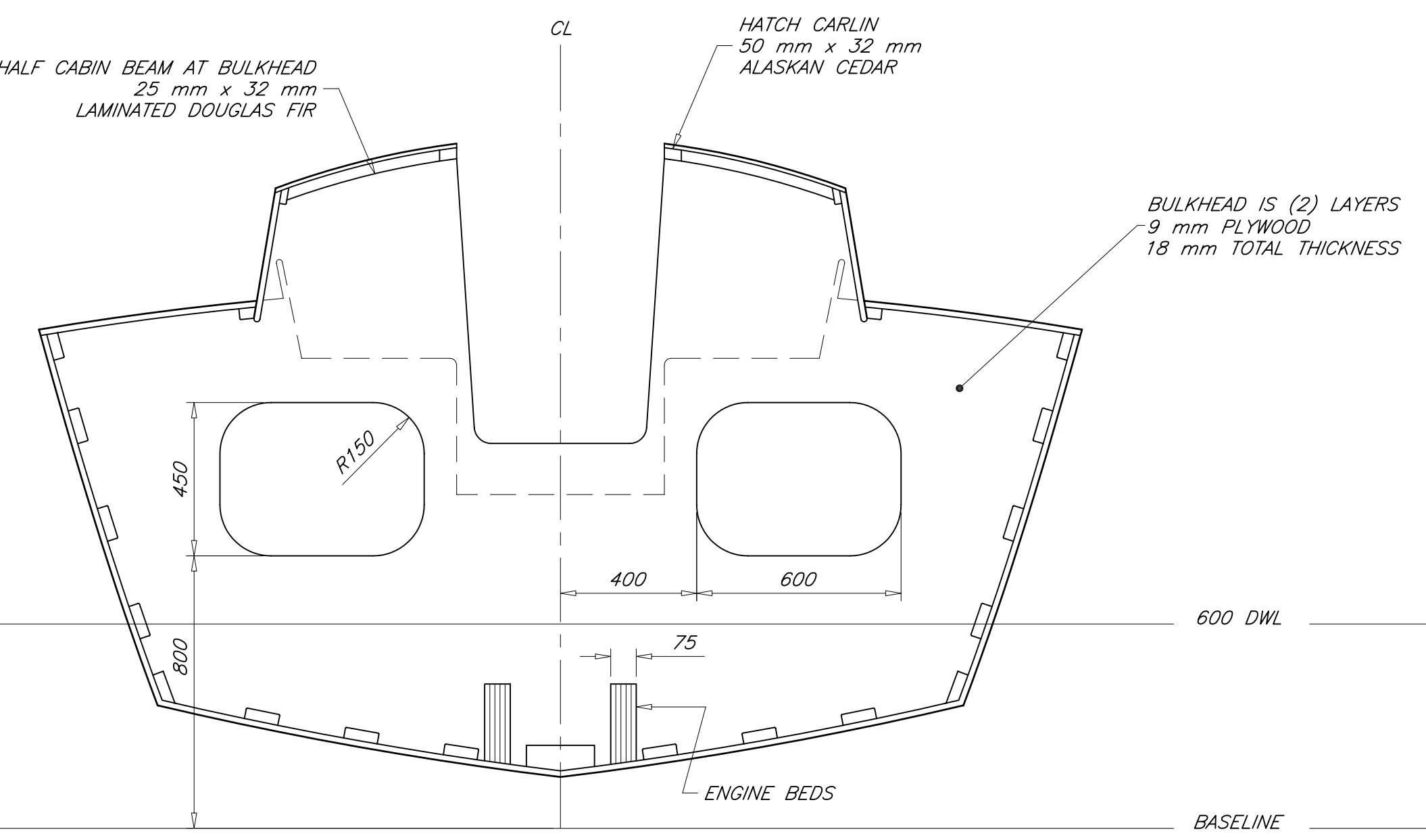
SECTION C-4
SECTION AT BHD B
LOOKING FWD



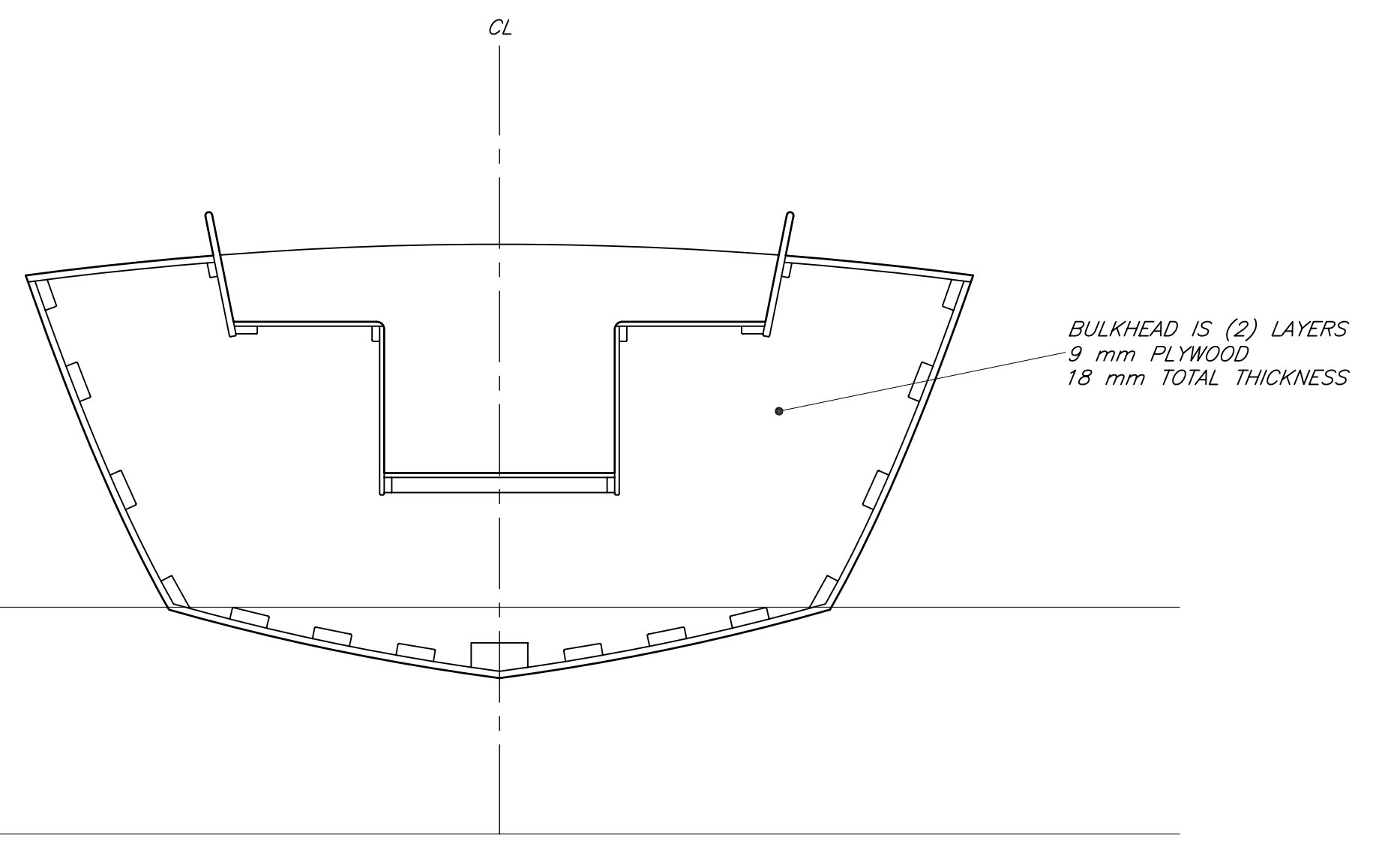
SECTION C-2
SECTION AT BHD C
LOOKING FWD



SECTION A-7
SECTION AT BHD D
LOOKING FWD

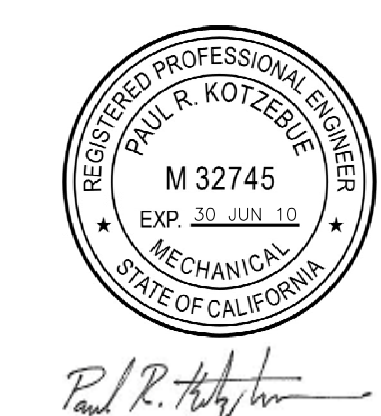


SECTION A-4
SECTION AT BHD E
LOOKING FWD



SECTION A-2
SECTION AT BHD F
LOOKING FWD

GENERAL NOTES
1. SEE REFERENCE 1 FOR MATERIAL PROPERTIES AND SCANTLINGS OF STRUCTURAL MEMBERS.



THIS DRAWING REMAINS THE PROPERTY OF PAUL R. KOTZEBUE, PE AND MAY NOT BE USED FOR ANY PURPOSE WITHOUT WRITTEN CONSENT.

1		CONSTRUCTION SECTIONS		03-C2
NO		TITLE		DWG NO
REFERENCES				
STOCK PLANS				
13.5 METER PLYWOOD SLOOP				
BULKHEADS				
PAUL R. KOTZEBUE, PE MECHANICAL ENGINEER Encinitas, California USA				
DRAFTER:	PK	DATE:	17 AUG 09	SIZE:
CHECKER:	PK	DATE:	17 AUG 09	SCALE:
				1 : 20
				DWG NO. 03-C3
				REV: -
				SHEET: 1 OF 1